

GMPPC-1700-BT0001

17" TFT 4:3 Motion Control Panel PC
with Intel® Celeron® J1900, 2.42GHz



Main Features

- 4:3 17" SXGA fanless panel computer
- Two expansion slots for motion control cards (PCI/PCIe)
- Optional Wi-Fi/3.5G module and 2.5" SSD
- Mounting Support:
 - Panel/VESA 75x75mm, 100x100mm
- IP65 Front Panel, IP30 Back System
- Wide range power input 12 ~ 24VDC

Specifications

Panel

- LED Size: 17", 4:3
- Resolution: SXGA 1280x1024
- Luminance: 250 cd/m²
- Contrast ratio: 1000
- LCD color: 16.7M
- Viewing Angle: 85(U), 85(D), 89(L), 89(R)
- Backlight: LED

Touch Screen

- Resistive Single-Touchscreen (1 point)
- Light transmission: 80%
- Interface: USB

System

- CPU: On-board Intel® Celeron® Processor J1900 2.42GHz
- System memory: 2x 204-pin DDR3L SO-DIMM socket, 2GB DDR3L(Default), support up to 8GB DDR3L-1067/1333, Non-ECC and Un-buffered
- Storage Device: 1x SATA connector, support SATA 3Gb/s and SATA 6Gb/s, 64GB SSD(Default)

Expansion:

- 2x miniPCIe slots
 - One slot for half size
 - One slot for full/half size, mSATA support
- 1x PCIe (x1) slot
- 1 x 32-bit PCI slot
- Backlight control: Panel backlight can be controlled by BIOS, dimming range from 0%-100%
- Watchdog timer: Watchdog function available form boot level.
- H/W status monitor: Monitoring system temperature, and voltage

Rear I/O

- Ethernet: 2x RJ45
- Additional Display Port: 1x VGA, 1x DVI-D
- USB: 3x USB2.0, 1x USB3.0
- COM #1: 1x RS-232/422/485, selectable in BIOS
- COM #2: 1x RS-232
- Audio: MIC in/ Line in/Line out phone jack
- DC Power connector: 3-Pin Phoenix terminal block
- Power Button: Rock switch



I/O View



Two Expansion Slots for Motion Control Card

PCIe Slot:
- GTN Motion Control Card

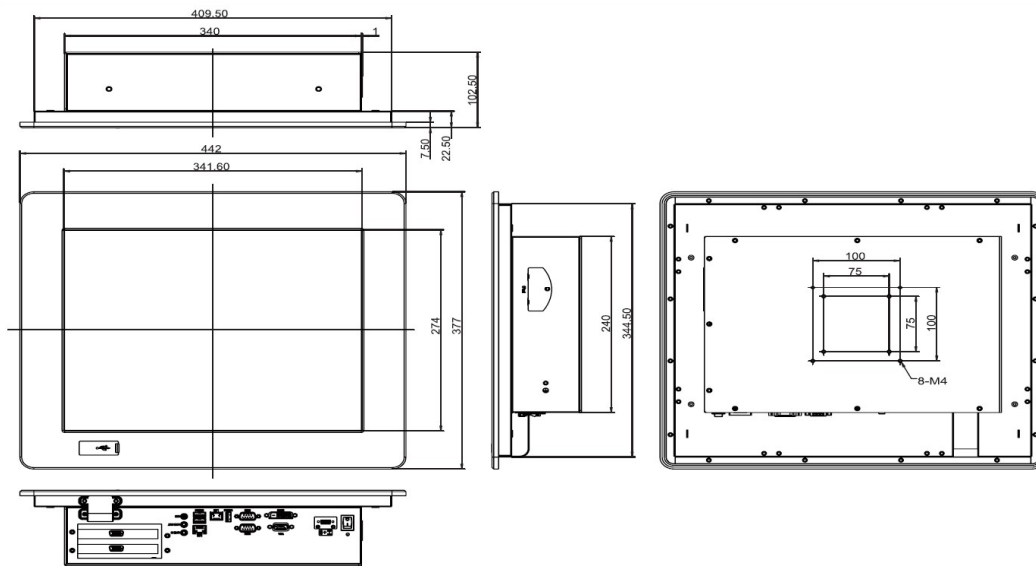
PCI Slot:
- GTS-VB Motion Control Card



- GHN Motion Control Card



Dimension Drawing



Ethernet

- LAN chip: 2x Intel® I211 Gigabit LAN
- Ethernet interface: 10/100/1000 Mbps

Power Requirements

- Input Voltage: 12 ~ 24VDC

Mechanical & Environment

- Fanless system design
- Color: Pantone black RAL9005
- IP protection:
 - IP65 Front Bezel
 - IP30 Back System
- Mounting: Panel/VESA 75 x 75mm, 100 x 100 mm
- Vibration: IEC 60068-2-6
1Grms@random condition, 3~500Hz,
1hr/axis(operating/non-operating)
- Shock: IEC 60068-2-27
20G@wall mount, 11ms, each axis 3times(operating)
- Operating temperature: 0°C to 50°C (with SSD)
- Storage temperature: -20°C to 60°C
- Operating humidity: 10%~90% relative humidity, non-condensing

- Dimension: 442 x 377 x 102.5 mm
- Weight: 9.7 KG

Certifications

- CE/FCC Class B
- LVD

OS Support List

- Windows 7 Professional/WES 7, WES 8/Windows 8.1/Windows 10
- Linux Kernel 3.X

Ordering Information

System

- GMPPC-1700-BT0001
17" SXGA LED Backlight Touch Panel PC, Intel® Celeron® Processor J1900 2.42GHz, 2GB DDR3L, 64G SSD

Options

- GTS-VB/GTN/GHN Motion Control Card

